



# Process Controller

N120



**IDEAL FOR PANEL INSTALLATION**

**SELF-ADAPTIVE PID**

**RAMPS AND SOAKS**

**VERSATILE MEASUREMENT**

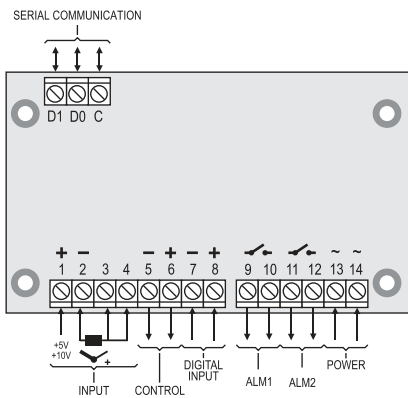
Complete and extremely versatile process controller arranged on a printed circuit board.

Accepts most sensors and signals used in the industry and provides the main types of output needed to operate in various processes.

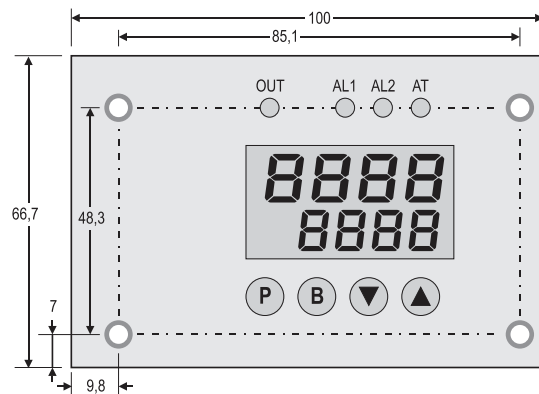
A unique feature of this controller is its self-adaptive PID algorithm, which continuously adjusts the PID parameters in order to obtain the best possible performance for the process.

All controller configuration is done via the keyboard or via QuickTune configuration software, without any changes to the circuit.

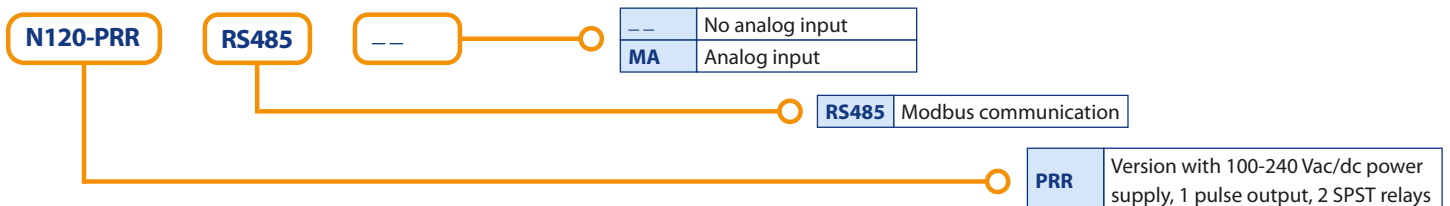
## Electrical Connections



## Dimensions



## How to Specify



[www.novusautomation.com/en/n120](http://www.novusautomation.com/en/n120)

PRC Technologies Corp., Ltd. ลาดพร้าว 101 กรุงเทพฯ 10240

โทรศัพท์ : 02 530 1714, 02 932 1711 มือถือ : 086 360 8600

อีเมล : [contact@prctech.net](mailto:contact@prctech.net) LINE ID1 : prctec-info, LINE ID2 : @prctec

**NOVUS**

We Measure, We Control, We Record